

Installing the hardware controller

Welcome!

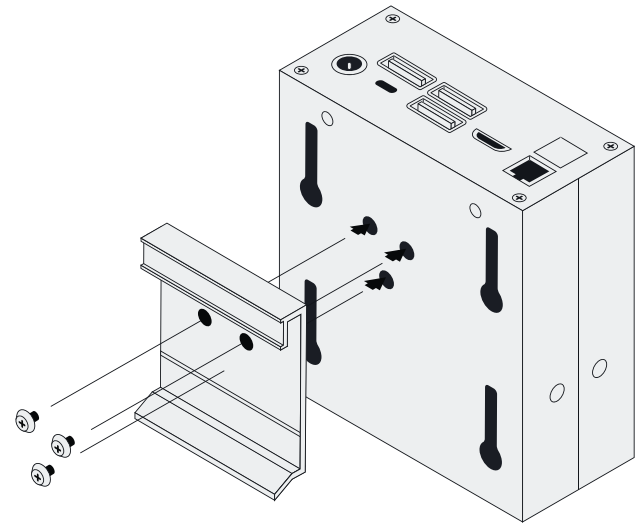
This quick start guide is designed to help you get up and running with our controller in no time.

Installation with DIN-rail

Follow this guide to assemble the Smart Grid Controller on a DIN-rail with the mounting plate delivered with your device.

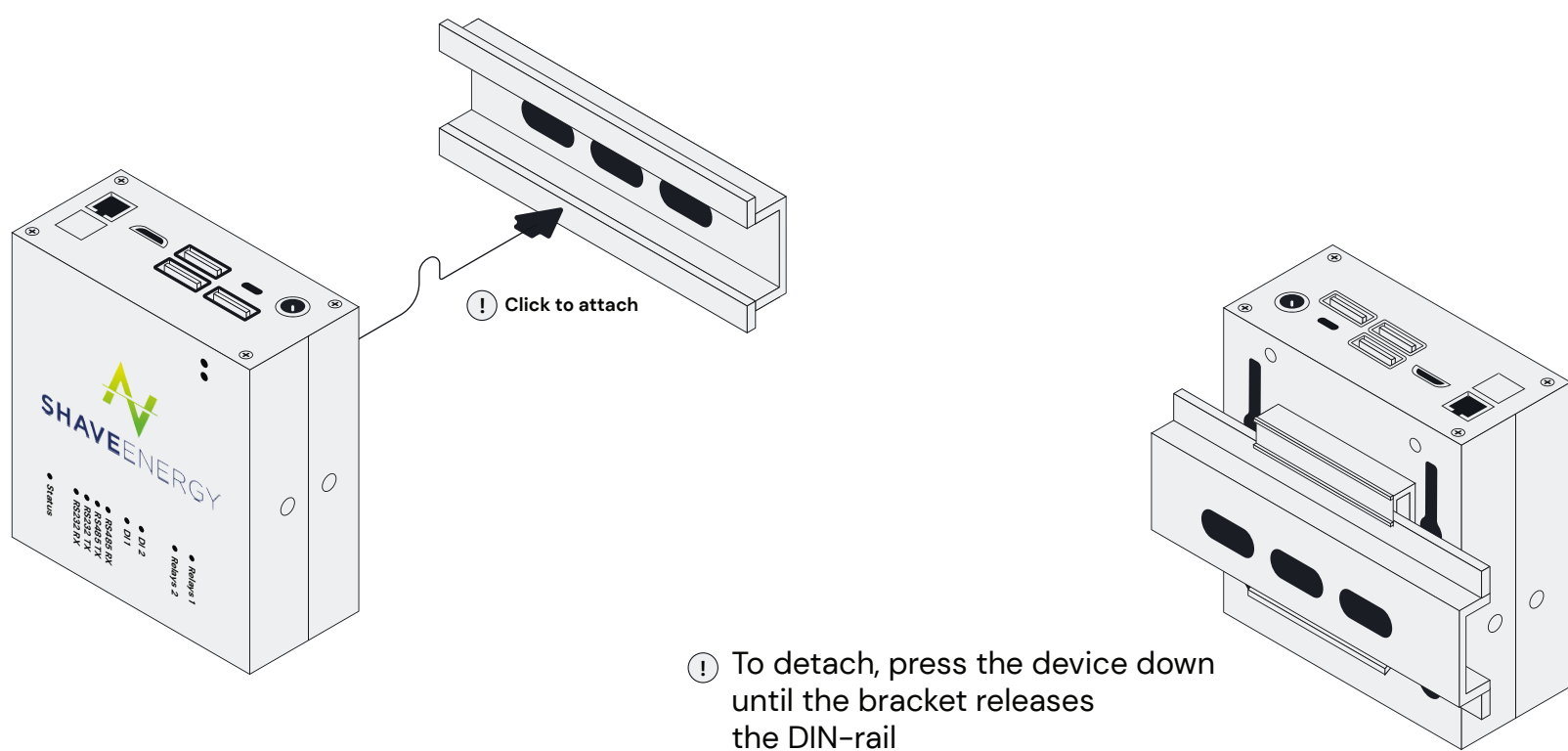
1 Mounting plate

Assemble the mounting plate to the Smart Grid Controller delivered with your device. Use only the 3 screws delivered with the product.



2 DIN-rail

Gently push and click the device on a DIN-rail via the mounting plate.

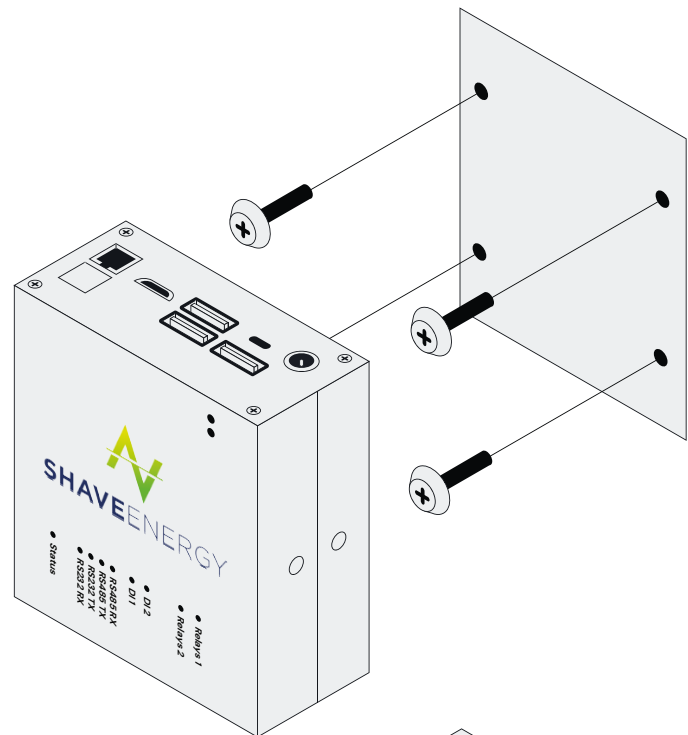


Installation on wall

Follow this guide to install the Smart Grid Controller on a wall.

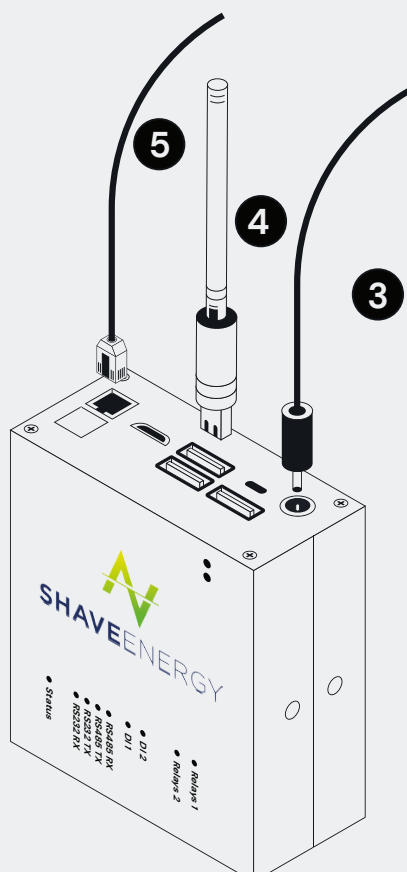
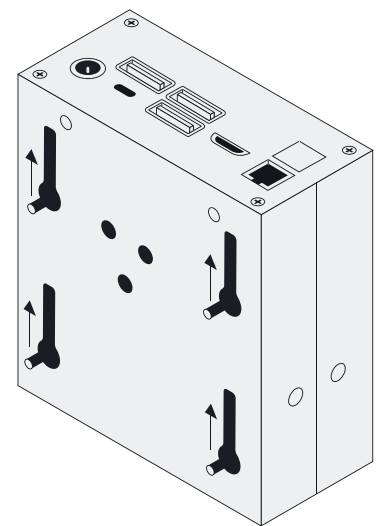
1 Attach to wall

Measure and drill 4 holes into the wall.



2 Attach screws to device

Slide in the screws attached to the wall, in the bottom holes of the device. Gently slide down the device until the screws meet the top each hole.



Finishing the set-up

You're almost done with the physical part of the controller. Make sure the main-power is off, then attach the power-supply, the WiFi Service Dongle and ethernet cable to the controller.

- 3 Attach the power-supply
- 4 Attach the WiFi Service Dongle for further setup using WiFi
- 5 Attach the Ethernet Cable for further setup using LAN